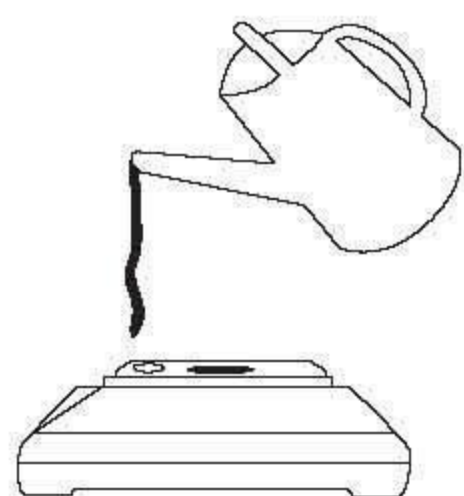


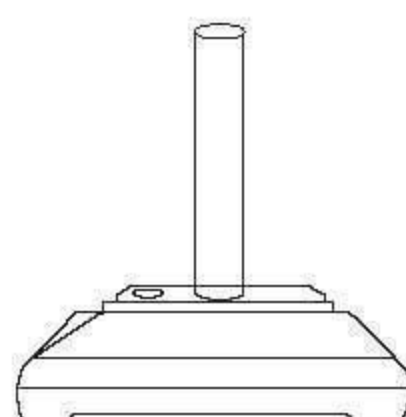
# 3 IN 1

## TENNIS • BADMINTON • VOLLEYBALL

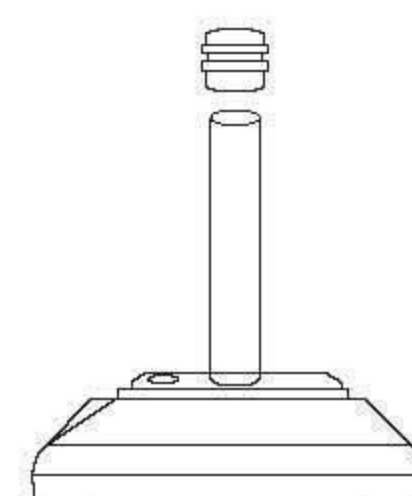
### ASSEMBLE INSTRUCTIONS:



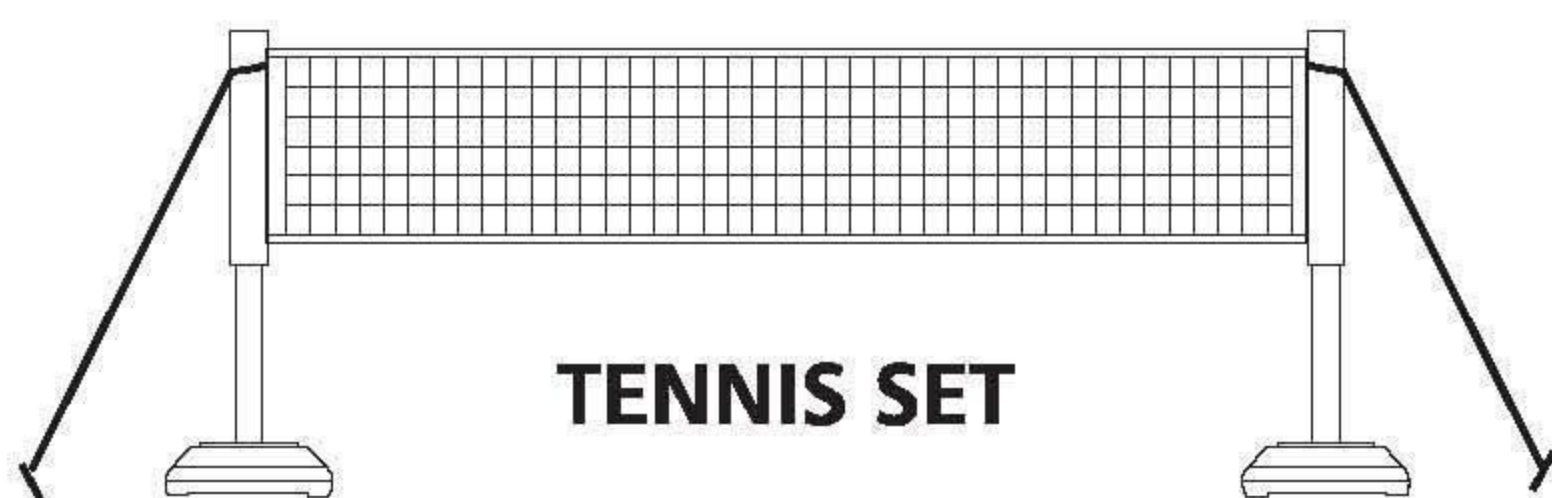
1) Fill the base with water or sand



2) Plug the plastic pole into the base.



3) Put the plastic lid on the top of the pole.



**TENNIS SET**

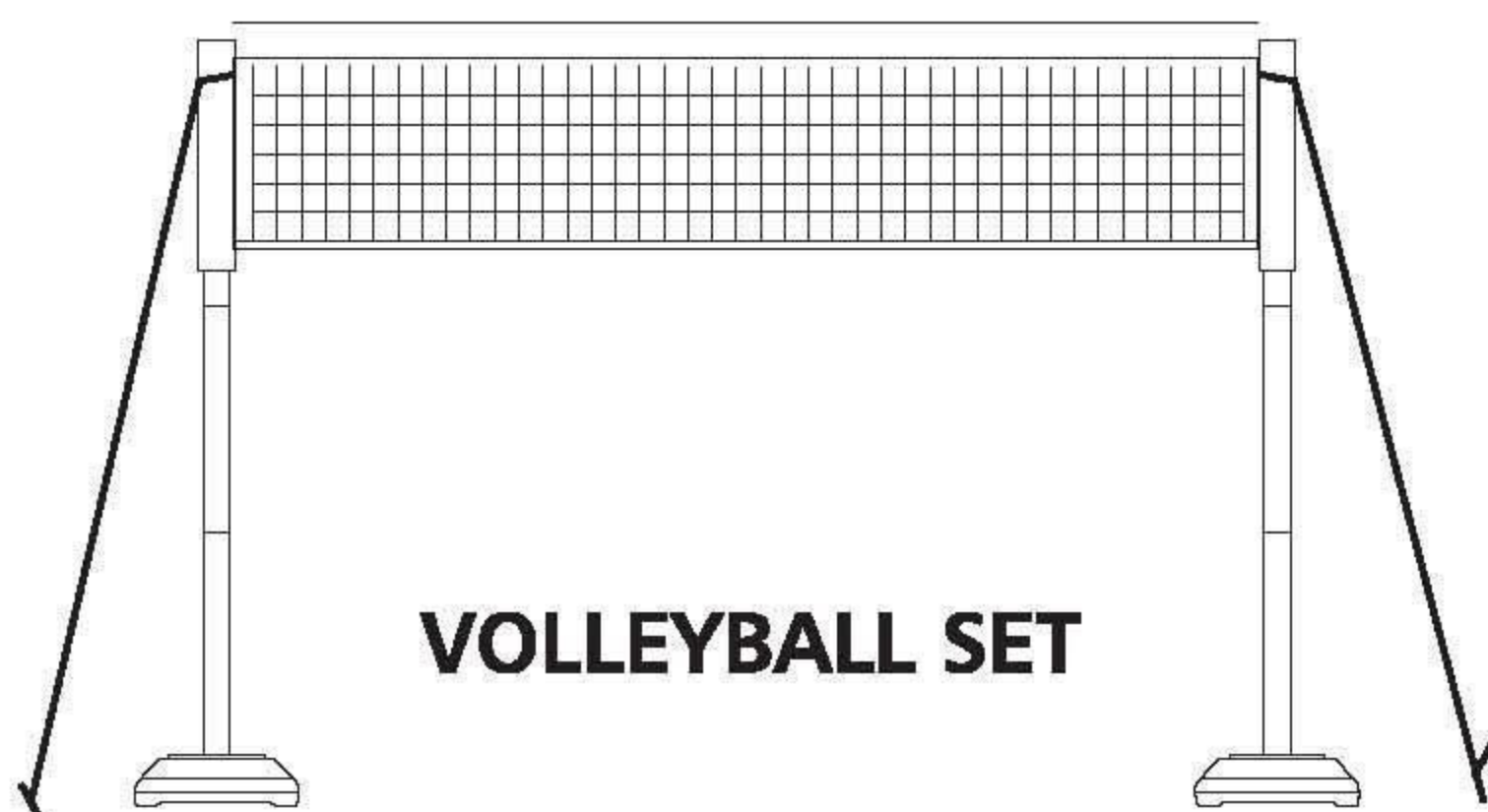
4) Set up the net and put the sides of the net on the plastic poles.

Plug the plastic pole into the base and use a section joint to connect to another pole (do this for the 2 bases). When the plastic poles have been tightened, it can be used for playing badminton.

Add other plastic poles to the badminton net and heighten it again. It can be used for playing volleyball.



**BADMINTON SET**



**VOLLEYBALL SET**

5) Straighten the strings of the net, tie the strings to the tees and fix the tees to the ground.